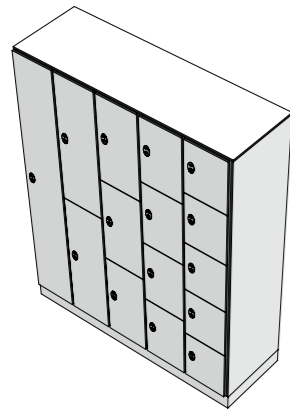


# Technical Specifying lockers and benches

## Lockers

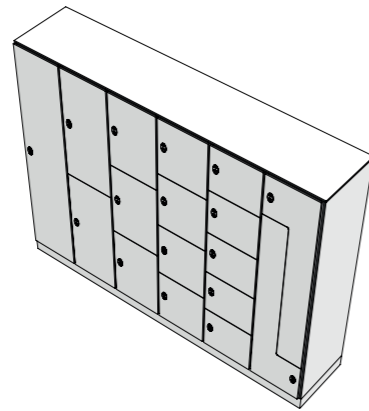
**Active locker** 300mm width



**Opening sizes**

- Model 1 1774 x 262mm
- Model 2 880 x 262mm
- Model 3 583x 262mm
- Model 4 434 x 262mm
- Model 5 345 x 262mm

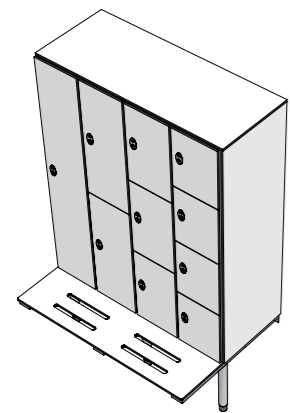
**Active locker** 400mm width



**Opening sizes**

- Model 1 1774 x 362mm
- Model 2 880x 362mm
- Model 3 583 x 362mm
- Model 4 434 x 362mm
- Model 5 345 x 362mm
- Model Z 1457 x 362mm

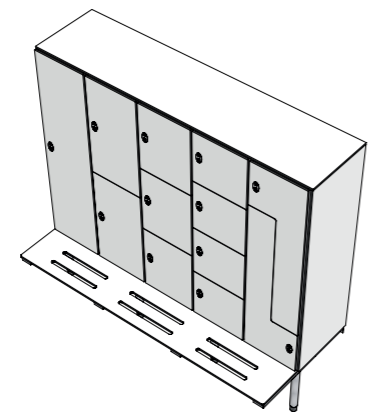
**Bench locker** 300mm width



**Opening sizes**

- Model 1 1434 x 262mm
- Model 2 711 x 262mm
- Model 3 469 x 262mm
- Model 4 349 x 262mm

**Bench locker** 400mm width



**Opening sizes**

- Model 1 1434 x 362mm
- Model 2 711 x 362mm
- Model 3 469 x 362mm
- Model 4 349 x 362mm
- Model Z 1025x 362mm

**Overall height**  
Active lockers 1913mm  
Bench lockers 1473mm  
from bench level

**Widths**  
300mm (not applicable to Model Z)  
400mm

**Depths**  
500mm  
830mm (including bench)

**Active lockers key features**

- Available in 34 laminate colours
- Robust and hardwearing
- Practical in design and functionality
- High impact resistance
- Totally impervious to water

**Door performance**  
High impact resistant 13mm thick Solid Grade Laminate (SGL) doors with 3mm radius corners.

**Body performance**  
Robust, hardwearing and waterproof 3mm SGL carcass in Cloud.

**Dividers**  
Hygienic, easy to clean 13mm thick SGL horizontal shelves in Cloud or Shadow.

**Hinge**  
Rolled stainless steel self-closing hinge.

**Ventilation**  
3mm space between doors and frame allows air to circulate.

**Locks**

- Coin retain
- Coin return
- Cylinder/cam lock
- Digi lock
- RFID lock
- Hasp lock

**Accessories**

- Laser cut numbers for locker doors
- Nylon coat hooks as standard with Model 1, Model 2 and Model Z lockers
- Nylon coat hooks as standard with Model 1 and Model Z bench lockers
- Corresponding wristband in red or blue

**Stands**  
Venesta recommends that the lockers are installed on a raised concrete base in wet areas. Alternatively, the lockers can be mounted on a powder coated cantilevered bench. Please contact our sales team for details.

## Benches

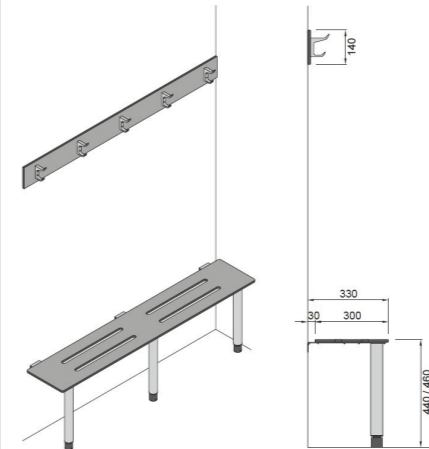
Our benches have been designed to provide strength, safety and flexibility. Available in 2 materials (13mm SGL and 32mm hardwood) and in five profiles. Each benching solution has Light Grey (RAL9006) powder coated steel or stainless steel\* tubular framework.

Box section construction is tubular with adjustable feet and hidden fixings.

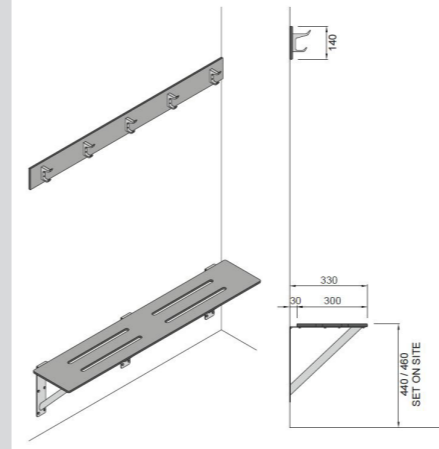
These bench systems are ideal for any of our washroom or cubicle systems, in both wet and dry environments.

\*Contact our friendly sales team on 01474 353333 for details on prices and lead times.

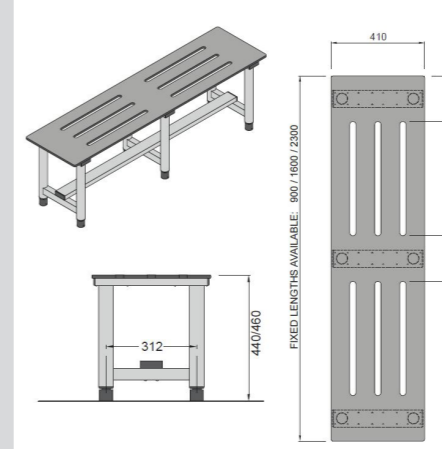
**Perimeter**



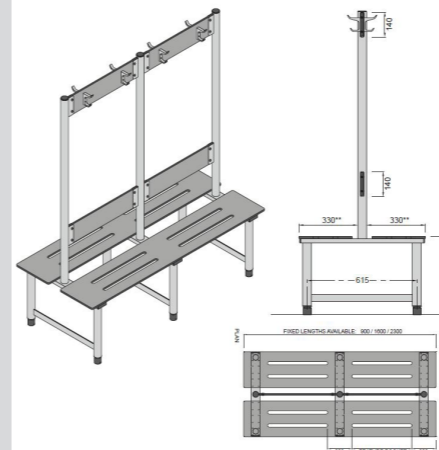
**Perimeter cantilever benching**



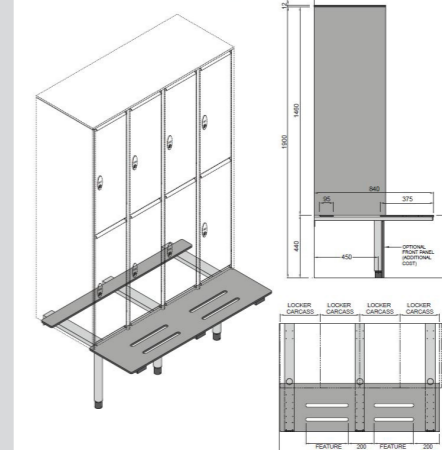
**Freestanding benching**



**Island benching**



**Locker benching**



**Benching key features**

- Hardwearing SGL and hardwood benching options available
- Available in five profiles, each with tested tubular framework
- Ideal for wet and dry environments
- Designed for high level use
- Adjustable feet to suit uneven floors
- Optional shoe rack detail available
- Optional cubicle anti-peek rail detail available to complement coat hooks

**Profiles**

- Perimeter benching
- Perimeter cantilever benching
- Freestanding benching
- Island benching with integral coat hooks
- Locker benching

**Dimensions**

440 or 460mm bench height.

**Performance**

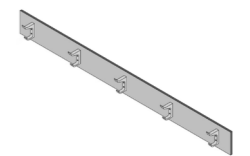
Hardwood slats in beech or SGL solid or pocket benches with double corrosion protected Light Grey powder coated steel or stainless steel\* tubular frame.

**Wall mounted coat hooks**

13mm SGL or 20mm hardwood coat rails in beech, with satin anodised aluminium coat hooks.

\*Contact our friendly sales team on 01474 353333 for details on prices and lead times.

**SGL wall mounted coat hooks**



**Hardwood wall mounted coat hooks**

